

# NST489AMT1

## High Current Surface Mount NPN Silicon Low $V_{CE(sat)}$ Switching Transistor for Load Management in Portable Applications

### Features

- Pb-Free Package is Available

### MAXIMUM RATINGS ( $T_A = 25^\circ\text{C}$ )

Rating	Symbol	Max	Unit
Collector-Emitter Voltage	$V_{CEO}$	30	V
Collector-Base Voltage	$V_{CBO}$	50	V
Emitter-Base Voltage	$V_{EBO}$	5.0	V
Collector Current – Continuous	$I_C$	2.0	A
Collector Current – Peak	$I_{CM}$	3.0	A

### THERMAL CHARACTERISTICS

Characteristic	Symbol	Max	Unit
Total Device Dissipation $T_A = 25^\circ\text{C}$ Derate above $25^\circ\text{C}$	$P_D$ (Note 1)	535 4.3	mW mW/ $^\circ\text{C}$
Thermal Resistance, Junction-to-Ambient	$R_{\theta JA}$ (Note 1)	234	$^\circ\text{C}/\text{W}$
Total Device Dissipation $T_A = 25^\circ\text{C}$ Derate above $25^\circ\text{C}$	$P_D$ (Note 2)	1.180 9.4	W mW/ $^\circ\text{C}$
Thermal Resistance, Junction-to-Ambient	$R_{\theta JA}$ (Note 2)	106	$^\circ\text{C}/\text{W}$
Thermal Resistance, Junction-to-Lead #1	$R_{\theta JL}$ (Note 1) $R_{\theta JL}$ (Note 2)	110 50	$^\circ\text{C}/\text{W}$ $^\circ\text{C}/\text{W}$
Total Device Dissipation (Single Pulse < 10 s)	$P_{D\text{single}}$ (Notes 2 and 3)	1.75	W
Junction and Storage Temperature Range	$T_J, T_{stg}$	-55 to +150	$^\circ\text{C}$

Stresses exceeding Maximum Ratings may damage the device. Maximum Ratings are stress ratings only. Functional operation above the Recommended Operating Conditions is not implied. Extended exposure to stresses above the Recommended Operating Conditions may affect device reliability.

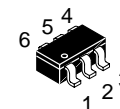
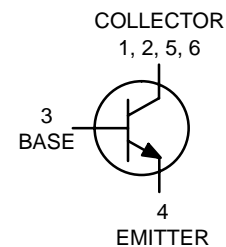
- FR-4 with 1 oz and 3.9 mm<sup>2</sup> of copper area.
- FR-4 with 1 oz and 645 mm<sup>2</sup> of copper area.
- Refer to Figure 8.



ON Semiconductor®

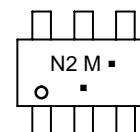
<http://onsemi.com>

**30 VOLTS, 3.0 AMPS  
NPN TRANSISTOR**



**TSOP-6  
CASE 318G  
STYLE 6**

### DEVICE MARKING



- N2 = Specific Device Code
- M = Date Code\*
- = Pb-Free Package

(Note: Microdot may be in either location)

\*Date Code orientation may vary depending upon manufacturing location.

### ORDERING INFORMATION

Device	Package	Shipping†
NST489AMT1	TSSOP-6	3000/Tape & Reel
NST489AMT1G	TSSOP-6 (Pb-Free)	3000/Tape & Reel

†For information on tape and reel specifications, including part orientation and tape sizes, please refer to our Tape and Reel Packaging Specifications Brochure, BRD8011/D.

# NST489AMT1

## ELECTRICAL CHARACTERISTICS ( $T_A = 25^\circ\text{C}$ unless otherwise noted)

Characteristic	Symbol	Min	Typ	Max	Unit	
<b>OFF CHARACTERISTICS</b>						
Collector–Emitter Breakdown Voltage ( $I_C = 10\text{ mA}$ , $I_B = 0$ )	$V_{(BR)CEO}$	30	–	–	V	
Collector–Base Breakdown Voltage ( $I_C = 0.1\text{ mA}$ , $I_E = 0$ )	$V_{(BR)CBO}$	50	–	–	V	
Emitter–Base Breakdown Voltage ( $I_E = 0.1\text{ mA}$ , $I_C = 0$ )	$V_{(BR)EBO}$	5.0	–	–	V	
Collector Cutoff Current ( $V_{CB} = 30\text{ V}$ , $I_E = 0$ )	$I_{CBO}$	–	–	0.1	$\mu\text{A}$	
Collector–Emitter Cutoff Current ( $V_{CES} = 30\text{ V}$ )	$I_{CES}$	–	–	0.1	$\mu\text{A}$	
Emitter Cutoff Current ( $V_{EB} = 4.0\text{ V}$ )	$I_{EBO}$	–	–	0.1	$\mu\text{A}$	
<b>ON CHARACTERISTICS</b>						
DC Current Gain (Note 4)	$h_{FE}$	( $I_C = 1.0\text{ mA}$ , $V_{CE} = 5.0\text{ V}$ ) ( $I_C = 0.5\text{ A}$ , $V_{CE} = 5.0\text{ V}$ ) ( $I_C = 1.0\text{ A}$ , $V_{CE} = 5.0\text{ V}$ )	300 300 200	– 500 –	– 900 –	
Collector–Emitter Saturation Voltage (Note 4)	$V_{CE(sat)}$	( $I_C = 1.0\text{ A}$ , $I_B = 100\text{ mA}$ ) ( $I_C = 0.5\text{ A}$ , $I_B = 50\text{ mA}$ ) ( $I_C = 0.1\text{ A}$ , $I_B = 1.0\text{ mA}$ )	– – –	0.10 0.06 0.05	0.200 0.125 0.075	V
Base–Emitter Saturation Voltage (Note 4) ( $I_C = 1.0\text{ A}$ , $I_B = 0.1\text{ A}$ )	$V_{BE(sat)}$		–	–	1.1	V
Base–Emitter Turn–on Voltage (Note 4) ( $I_C = 1.0\text{ A}$ , $V_{CE} = 2.0\text{ V}$ )	$V_{BE(on)}$		–	–	1.1	V
Cutoff Frequency ( $I_C = 100\text{ mA}$ , $V_{CE} = 5.0\text{ V}$ , $f = 100\text{ MHz}$ )	$f_T$		200	300	–	MHz
Output Capacitance ( $f = 1.0\text{ MHz}$ )	$C_{obo}$		–	–	15	pF

4. Pulsed Condition: Pulse Width  $\leq 300\ \mu\text{sec}$ , Duty Cycle  $\leq 2\%$ .

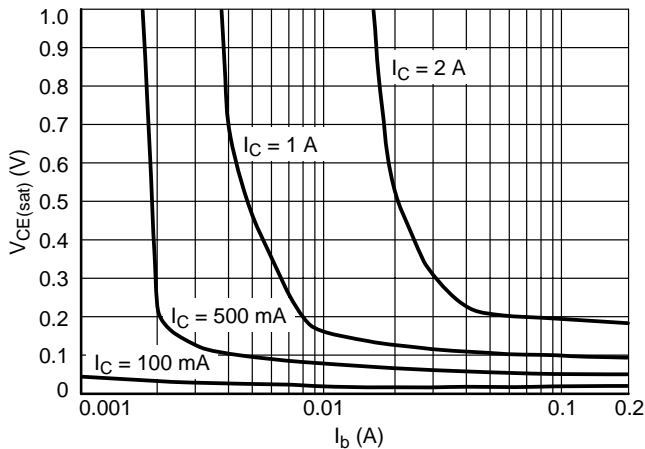


Figure 1.  $V_{CE(sat)}$  versus  $I_b$

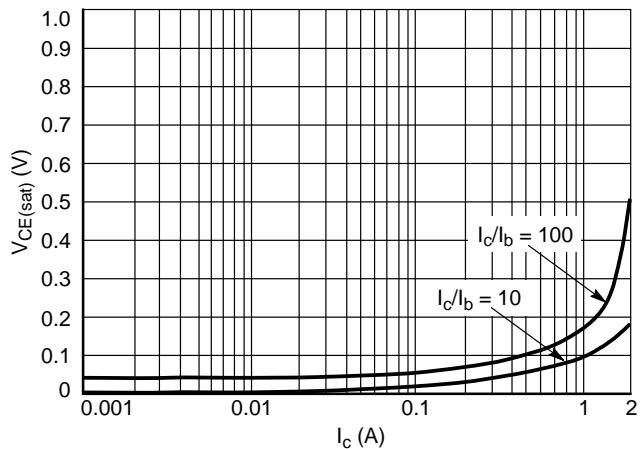


Figure 2.  $V_{CE(sat)}$  versus  $I_C$

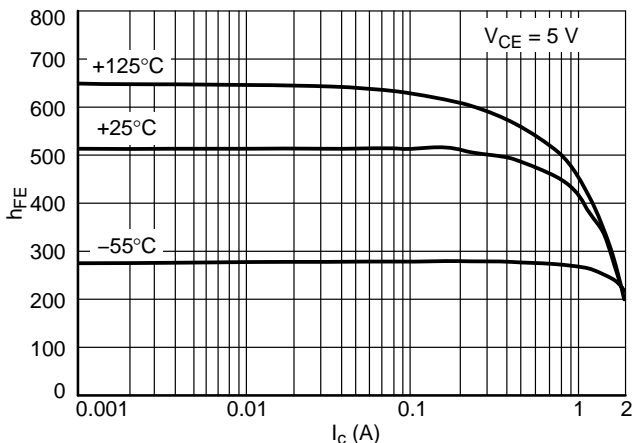


Figure 3.  $h_{FE}$  versus  $I_C$

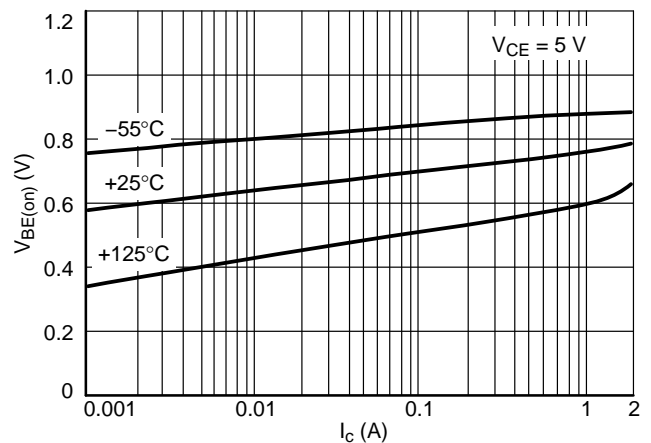


Figure 4.  $V_{BE(on)}$  versus  $I_C$

# NST489AMT1

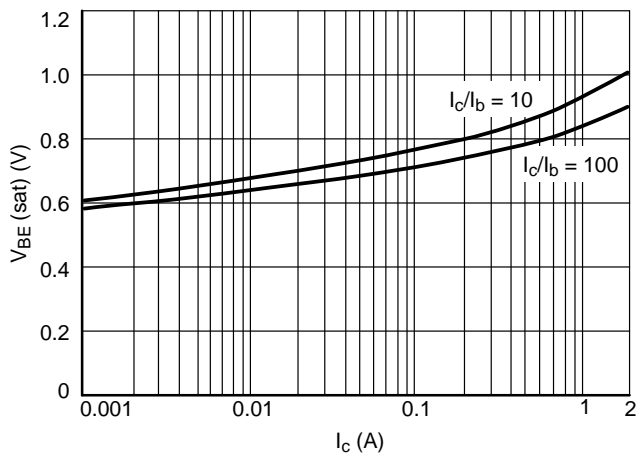


Figure 5.  $V_{BE(sat)}$  versus  $I_C$

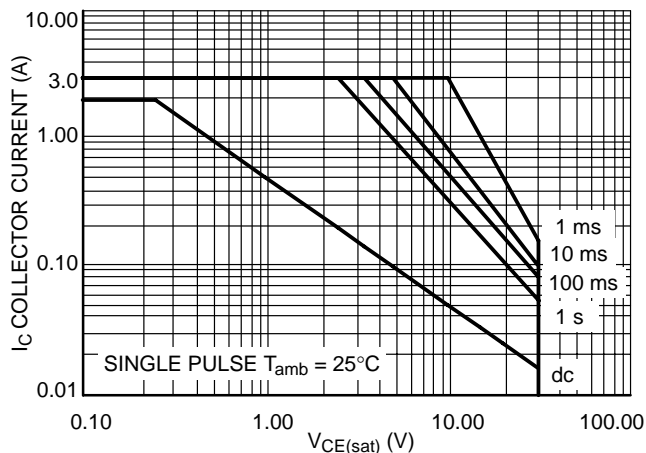


Figure 6. Safe Operating Area

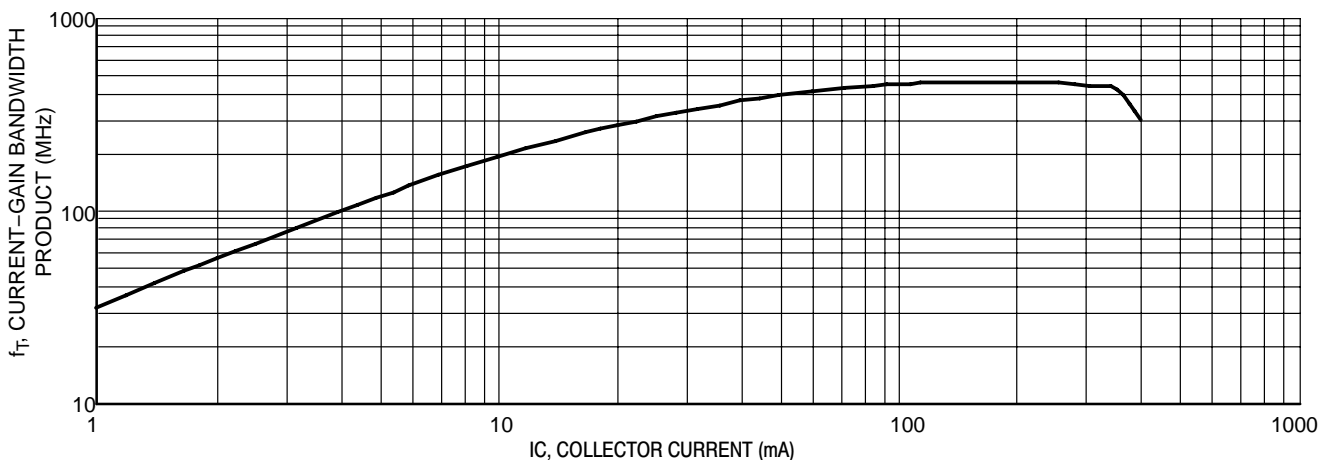


Figure 7.  $f_T$  (MHZ) versus  $I_C$  (mA)  $V_{CE} = 5.0$  V

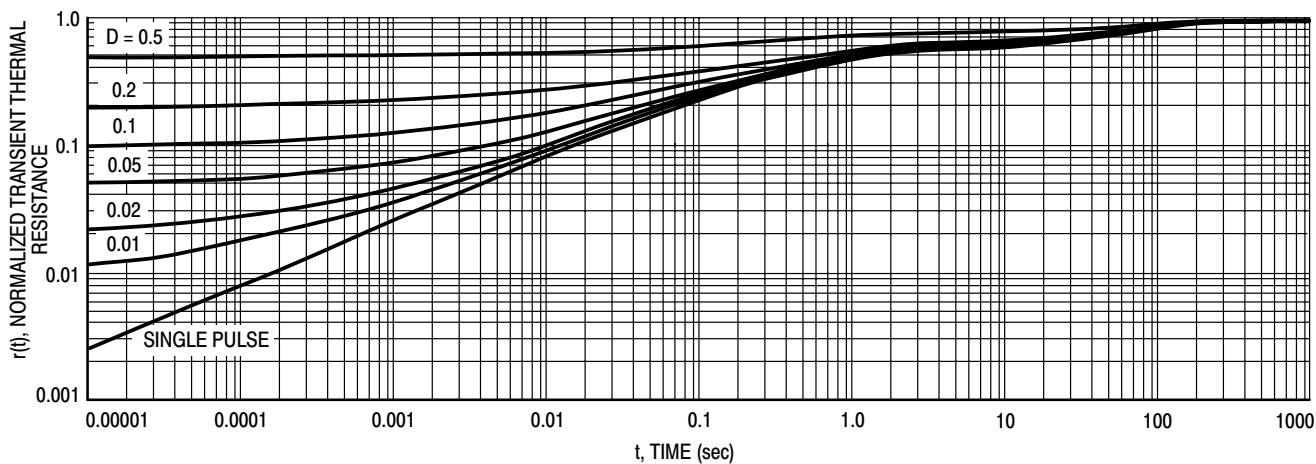
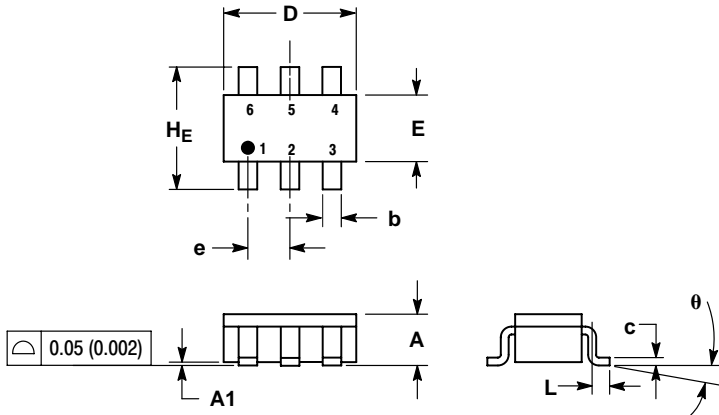


Figure 8. Normalized Thermal Response

# NST489AMT1

## PACKAGE DIMENSIONS

TSOP-6  
CASE 318G-02  
ISSUE S



NOTES:

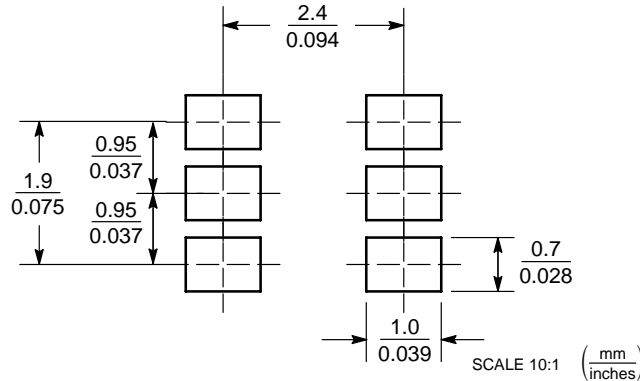
1. DIMENSIONING AND TOLERANCING PER ANSI Y14.5M, 1982.
2. CONTROLLING DIMENSION: MILLIMETER.
3. MAXIMUM LEAD THICKNESS INCLUDES LEAD FINISH THICKNESS. MINIMUM LEAD THICKNESS IS THE MINIMUM THICKNESS OF BASE MATERIAL.
4. DIMENSIONS A AND B DO NOT INCLUDE MOLD FLASH, PROTRUSIONS, OR GATE BURRS.

DIM	MILLIMETERS			INCHES		
	MIN	NOM	MAX	MIN	NOM	MAX
A	0.90	1.00	1.10	0.035	0.039	0.043
A1	0.01	0.06	0.10	0.001	0.002	0.004
b	0.25	0.38	0.50	0.010	0.014	0.020
c	0.10	0.18	0.26	0.004	0.007	0.010
D	2.90	3.00	3.10	0.114	0.118	0.122
E	1.30	1.50	1.70	0.051	0.059	0.067
e	0.85	0.95	1.05	0.034	0.037	0.041
L	0.20	0.40	0.60	0.008	0.016	0.024
HE	2.50	2.75	3.00	0.099	0.108	0.118
θ	0°	-	10°	0°	-	10°

STYLE 6:

- PIN 1. COLLECTOR
- COLLECTOR
- BASE
- EMITTER
- COLLECTOR
- COLLECTOR

### SOLDERING FOOTPRINT\*



\*For additional information on our Pb-Free strategy and soldering details, please download the ON Semiconductor Soldering and Mounting Techniques Reference Manual, SOLDERRM/D.

ON Semiconductor and are registered trademarks of Semiconductor Components Industries, LLC (SCILLC). SCILLC reserves the right to make changes without further notice to any products herein. SCILLC makes no warranty, representation or guarantee regarding the suitability of its products for any particular purpose, nor does SCILLC assume any liability arising out of the application or use of any product or circuit, and specifically disclaims any and all liability, including without limitation special, consequential or incidental damages. "Typical" parameters which may be provided in SCILLC data sheets and/or specifications can and do vary in different applications and actual performance may vary over time. All operating parameters, including "Typicals" must be validated for each customer application by customer's technical experts. SCILLC does not convey any license under its patent rights nor the rights of others. SCILLC products are not designed, intended, or authorized for use as components in systems intended for surgical implant into the body, or other applications intended to support or sustain life, or for any other application in which the failure of the SCILLC product could create a situation where personal injury or death may occur. Should Buyer purchase or use SCILLC products for any such unintended or unauthorized application, Buyer shall indemnify and hold SCILLC and its officers, employees, subsidiaries, affiliates, and distributors harmless against all claims, costs, damages, and expenses, and reasonable attorney fees arising out of, directly or indirectly, any claim of personal injury or death associated with such unintended or unauthorized use, even if such claim alleges that SCILLC was negligent regarding the design or manufacture of the part. SCILLC is an Equal Opportunity/Affirmative Action Employer. This literature is subject to all applicable copyright laws and is not for resale in any manner.

### PUBLICATION ORDERING INFORMATION

**LITERATURE FULFILLMENT:**  
Literature Distribution Center for ON Semiconductor  
P.O. Box 5163, Denver, Colorado 80217 USA  
**Phone:** 303-675-2175 or 800-344-3860 Toll Free USA/Canada  
**Fax:** 303-675-2176 or 800-344-3867 Toll Free USA/Canada  
**Email:** orderlit@onsemi.com

**N. American Technical Support:** 800-282-9855 Toll Free USA/Canada  
**Europe, Middle East and Africa Technical Support:**  
Phone: 421 33 790 2910  
**Japan Customer Focus Center**  
Phone: 81-3-5773-3850

**ON Semiconductor Website:** [www.onsemi.com](http://www.onsemi.com)  
**Order Literature:** <http://www.onsemi.com/orderlit>  
For additional information, please contact your local Sales Representative